
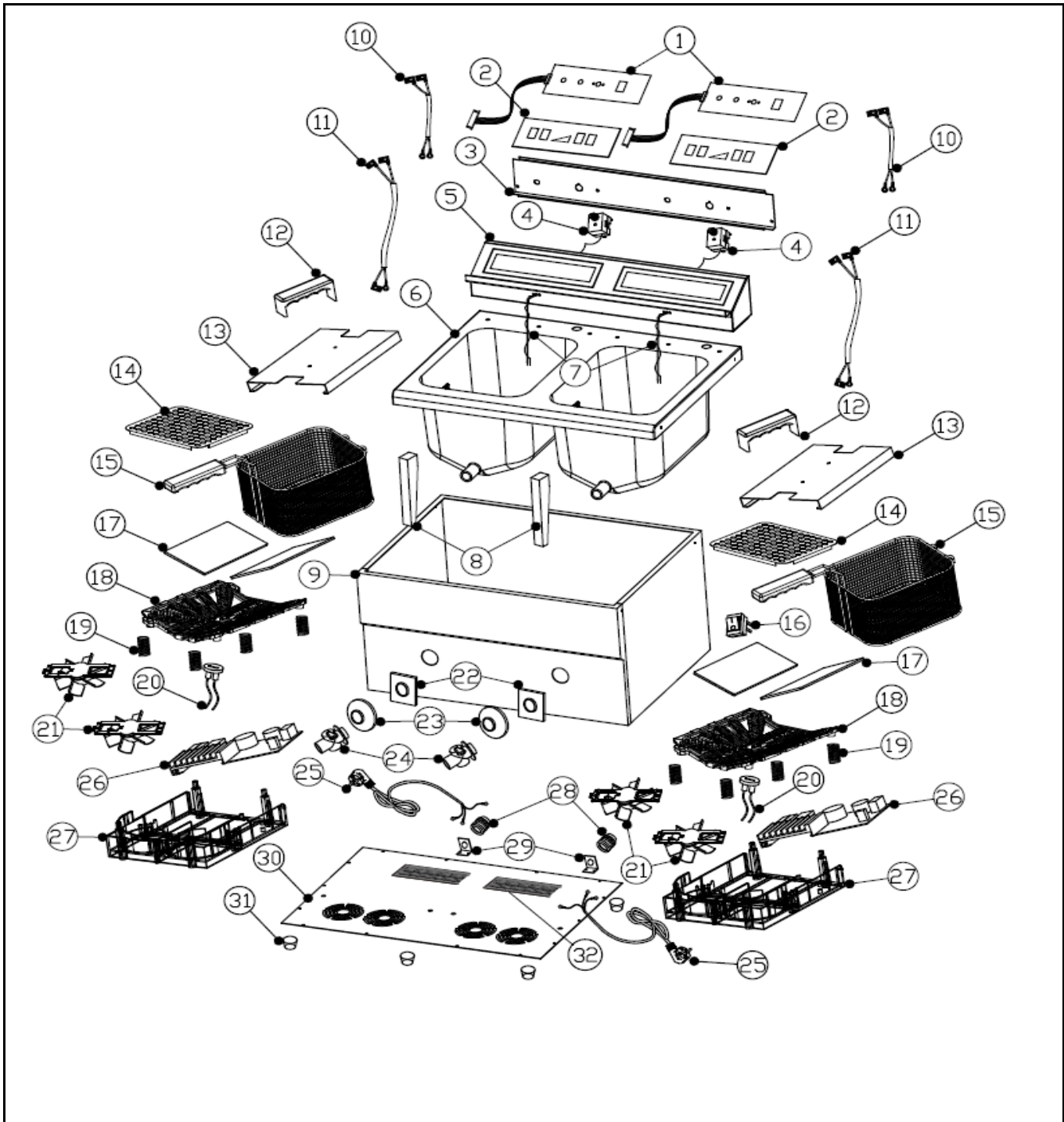



Drawing

 <p>HENDI FOOD SERVICE EQUIPMENT</p> <p>Hendi B.V. Steenoven 21 3911 TX Rhenen The Netherlands</p>	Batch #	Appliance part#
	171281 and up	215029
	Description	
	Induction Deep Fryer Kitchen Line - Double	

Date	04-04-2018	Revision #	1,0
Revision	First Bill of Materials (BOM)		



Bill of materials (BOM)

 HENDI FOOD SERVICE EQUIPMENT Hendi B.V. Steenoven 21 3911 TX Rhenen The Netherlands	Batch #	Appliance part#
	171281 and up	215029
	Description	
Induction Deep Fryer Kitchen Line - Double		


Date	04-04-2018	Revision #	1,0
Revision	First Bill of Materials (BOM)		

Item	Description	Part#	Quantity	Remark	Picture
1	Control PCB	944356	2		
2	Glass Panel	n/a	2		
3	Back Cover	n/a	1		
4	Hi-Limiter	944431	2		
5	Control PCB Housing	n/a	1		
6	Oil Container Double	n/a	1		
7	Oil Temperatur Sensor	944349	2		
8	Sensor Holder/Cover	n/a	2		
9	Housing	n/a	1		
10	Connector Wire	n/a	2		
11	Hi-Limiter Wiring	n/a	2		
12	Handle for Cover	nss	2	Available as 944363	
13	Cover	nss	2	Available as 944363	
12 + 13	Cover with Handle	944363	2	Items 12 and 13	
14	Filter	944370	2		
15	Fryer Basket	944387	2		
16	Switch	205426	2		
17	Ceramic Glass for Induction Coil	nss	4	Available as 944394	
18	Induction Coil	nss	2	Available as 944394	
17 + 18	Induction Coil with Ceramic Glass	944394	2	Items 17 and 18	
19	Induction Coil Mounting Spring	n/a	8		
20	Sensor	944400	2		
21	Fan	919446	4		
22	Faucet Mounting Plate	n/a	2		
23	Faucet Backplate	n/a	2		
24	Faucet	930786	2		
25	Power Cord	929353	2	H07RN-F 3G1.5mm ²	
26	Main PCB	944417	2		
27	Main Mounting Bracket	n/a	2		
28	Power Cord Retention	n/a	2		
29	Power Cord Bracket	n/a	2		
30	Bottom Plate	n/a	1		
31	Foot	944301	6		
32	Air Filter	944424	2		

n/a -> not available

nss -> not sold separately

Wiring diagram

 <p>Hendi B.V. Steenoven 21 3911 TX Rhenen The Netherlands</p>	Batch #	Appliance part#
	171281 and up	215029
	Description	
	Induction Deep Fryer Kitchen Line - Double	

Date	04-04-2018	Revision #	1,0
Revision	First Bill of Materials (BOM)		

